

4" Round Single-Post Direct Power Feed Canopy REMOTECNPYDIR_ 1.2



GENERAL PRODUCT INFORMATION:

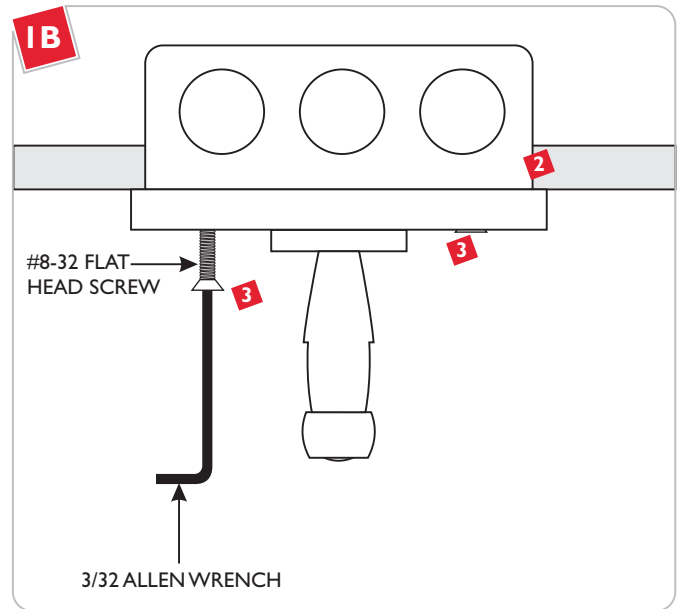
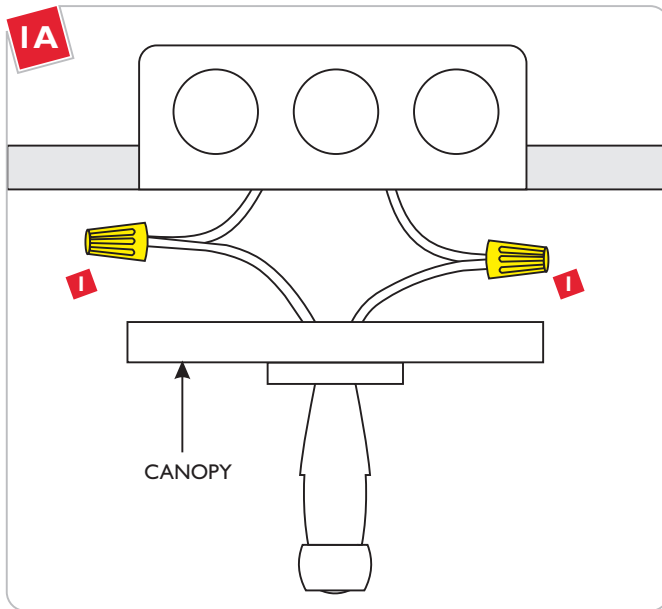


This product is suitable for indoor dry locations only.

Minimum volume of the electrical box must be 6 cubic inches (98 cubic centimeter).



Install the Power Feed Canopy



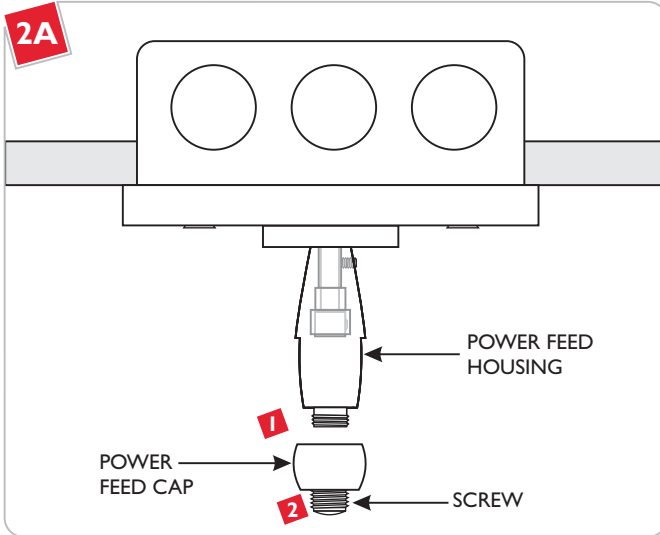
NOTE: The low voltage wires should be present in the electrical box prior to these steps. Refer to the instructions provided with the remote transformer to install the remote transformer and low voltage wires.

NOTE: Use the provided universal round crossbar when the canopy holes do not line up with the electrical box holes.

- 1** Connect each power feed canopy wire to one low voltage with a wire nut.

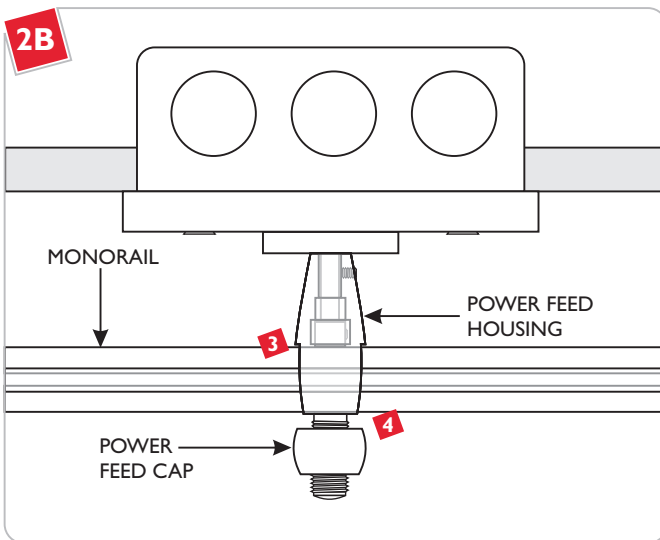
- 2** Place all wires and wire nut connections inside the electrical box.
- 3** Tighten the two provided #8-32 flat head screws to the electrical box holes with the 3/32 Allen wrench to secure the canopy in place.

Install the Monorail the Power Feed Canopy

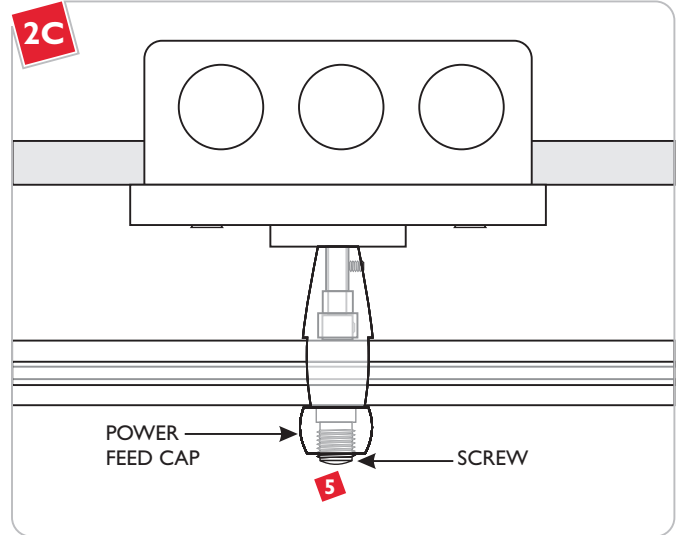


NOTE: The standoffs should be installed to support the Monorail while connecting Monorail to the power feed canopy. Refer to the instruction provided with the standoffs.

- 1 Remove the power feed cap from the power feed housing.
- 2 Completely back out the screw on the power feed cap.



- 3 Place the Monorail into the standoffs and power feed housings.
- 4 Screw the power feed cap completely to the power feed housing. **Make sure that the power feed cap is not cross threaded.**



- 5 Tighten the screw on the power feed cap for proper power connection.

SAVE THESE INSTRUCTIONS!

 **LBL Lighting**

7400 Linder Ave, Skokie, IL 60077

800.323.3226 - 847.626.6300

www.lblighting.com

© 2008 LBL Lighting. All rights reserved. The "LBL Lighting" graphic is a registered trademark of LBL Lighting. LBL Lighting reserves the right to change specifications for product improvements without notification.

A Generation Brands Company