

Ortex Linear Suspension

SU886_ 1.0



GENERAL PRODUCT INFORMATION:

This fixture is intended to be installed utilizing NEC compliant junction boxes.

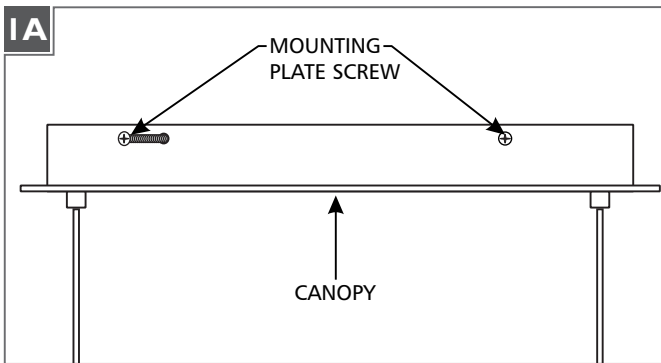
This product is suitable for damp locations.

This product may be dimmed with a low-voltage electronic dimmer.

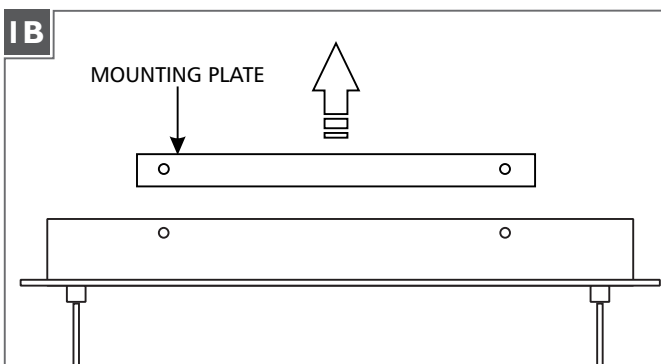


CAUTION - RISK OF FIRE
 This product must be installed in accordance with the applicable installation code by a person familiar with the construction and operation of the product and the hazards involved.
 Use minimum 90°C supply conductors.

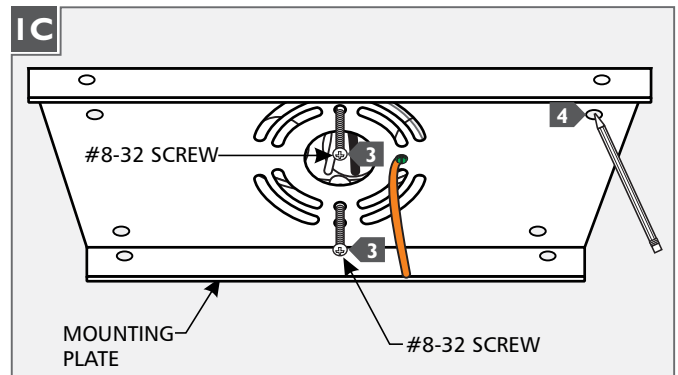
Install the Mounting Plate



1 Separate the mounting plate from the canopy by removing all four mounting plate screws.

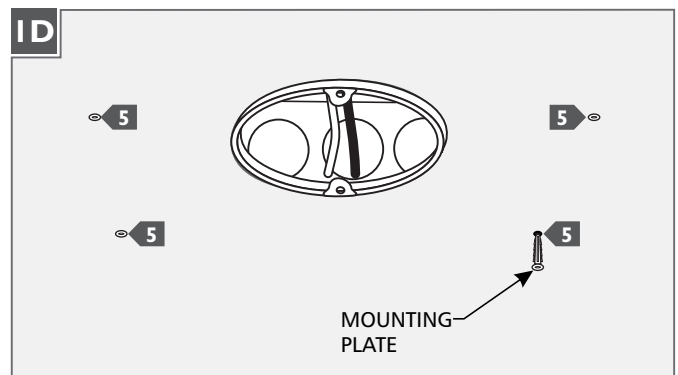


2 Remove the mounting plate from the canopy.

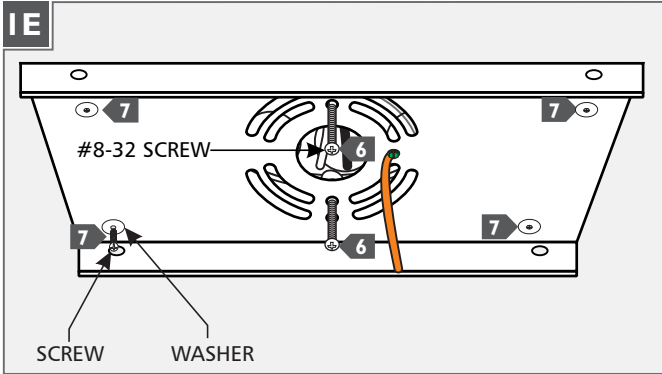


3 Temporarily install the mounting plate to the electrical box with the two #8-32 screws provided.

4 Mark the four anchor locations and uninstall the mounting plate.

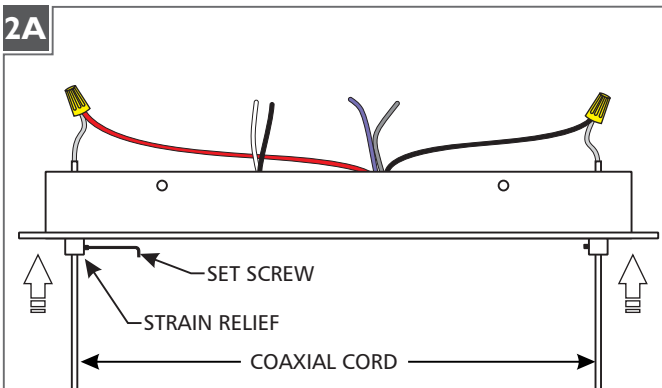


5 At the marked locations, drill appropriate sized holes and install the four anchors.



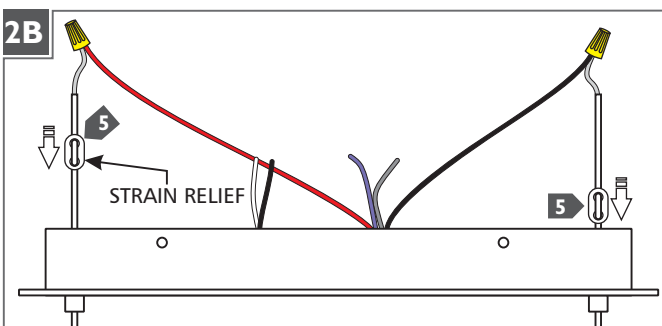
- 6 Re-install the back plate to the electrical box with two #8-32 screws.
- 7 Secure the back plate to the anchors with the screws and washers.

Adjust the Height (optional)

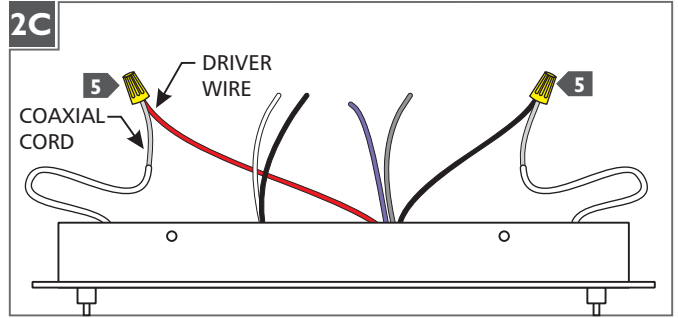


- 1 Place the fixture on a level surface.
- 2 With the provided Allen wrench, loosen (do not remove) the set screws on the strain reliefs.
- 3 Evenly pull the coaxial cables up through the strain reliefs to raise the fixture to the desired height.
- 4 Ensure that the canopy is level and re-tighten the set screws on the strain reliefs.

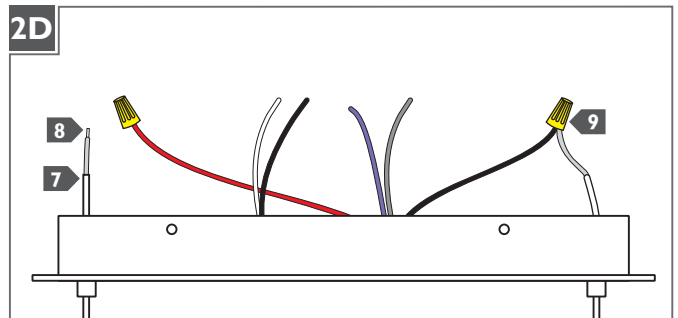
CAUTION: Do not over tighten to avoid shorting.



- 5 Move the strain reliefs down the cable, leaving an inch from the inside surface of the canopy for possible fine leveling.



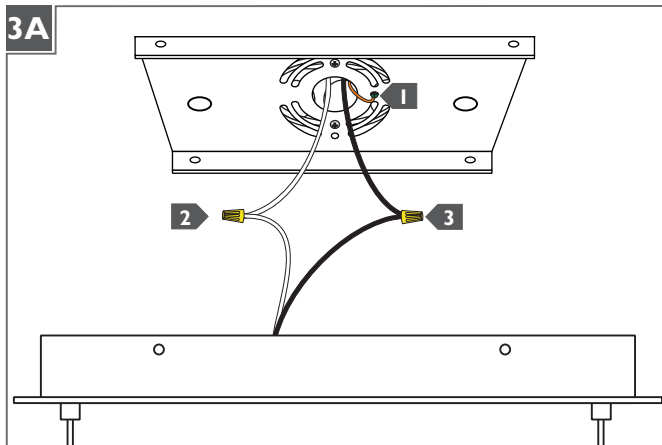
- 6 If shortening of the coaxial cords is necessary, take note of the wire connections from the coaxial cables to the driver and remove the wire nuts.



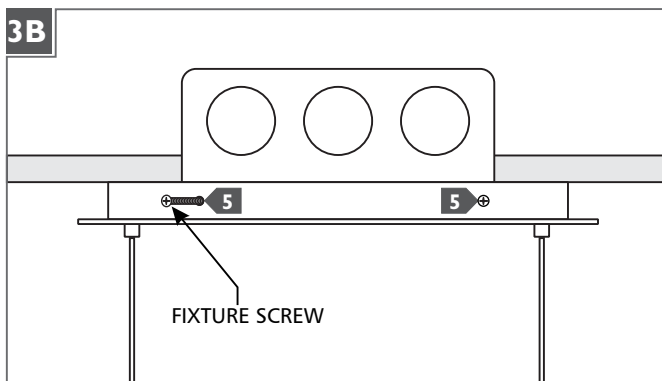
- 7 Leave 6" behind for wire connections, cut off the excess cord.
- 8 From the end of the cord, strip the insulation 4" using a sharp knife. **Make sure not to nick the inner wires.**
- 9 Using the wire nuts, reconnect the wires to their original connections.

Install the Fixture

NOTE: It is recommended that one person hold the fixture while the electrician connects the power and installs the canopy.



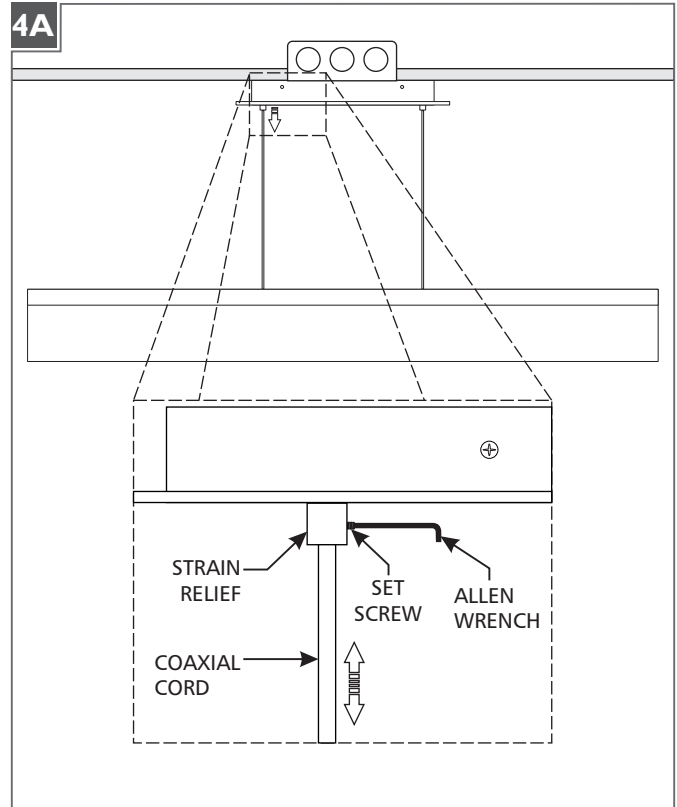
- 1 Connect the fixture to a suitable ground in accordance with local electrical codes.
- 2 Connect the white driver wire to the neutral power line wire with a wire nut.
- 3 Connect the black driver wire to the hot power line wire with a wire nut.



- 4 Place all wires and wire nut connections inside the canopy.
- 5 Align the canopy holes with the mounting plate holes. Secure the canopy in place by tightening the four fixture screws.

Fine Leveling (Optional)

NOTE: If minor adjustments to the fixtures leveling is necessary, it is recommended that one person hold the fixture straight with the use of a level while the other adjusts the coaxial cable following the steps below.



- 1 Using the provided Allen wrench, loosen (do not remove) the set screws on the needed strain relief.
- 2 Gently pull or push the coaxial cable in very small increments through the strain relief to lower one side of the fixture until level.
- 3 Re-tighten the set screw on the strain relief.

SAVE THESE INSTRUCTIONS!

LBL

7400 Linder Ave, Skokie, IL 60077

800.323.3226 - 847.626.6300

www.lblighting.com

© 2015 LBL Lighting. All rights reserved. The "LBL Lighting" graphic is a registered trademark of LBL Lighting. LBL Lighting reserves the right to change specifications for product improvements without notification.

A Generation Brands Company