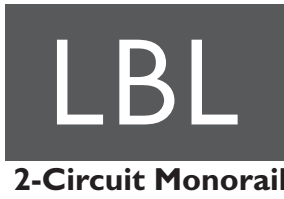


Two-Circuit Monorail Fusion Jack Adapter

PENDADAPMONOFJ2_ 1.0



GENERAL PRODUCT INFORMATION:

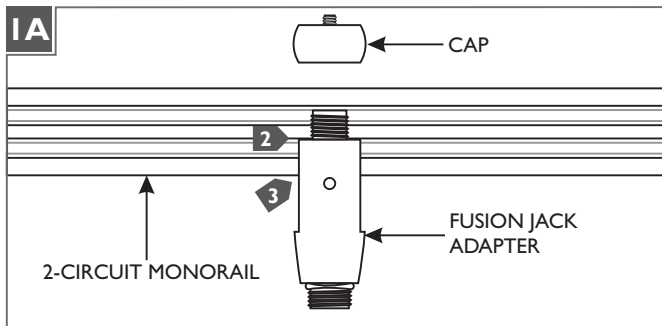


This product is ETL listed and suitable only for indoor dry locations and approved for use at any height above the finished floor.

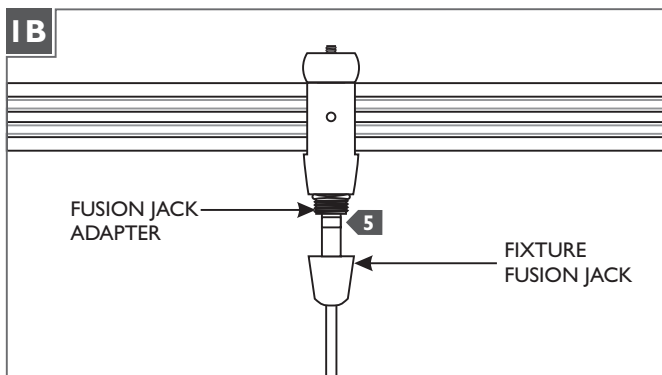
This product is intended to be used with LBL 2-Circuit Monorail system.



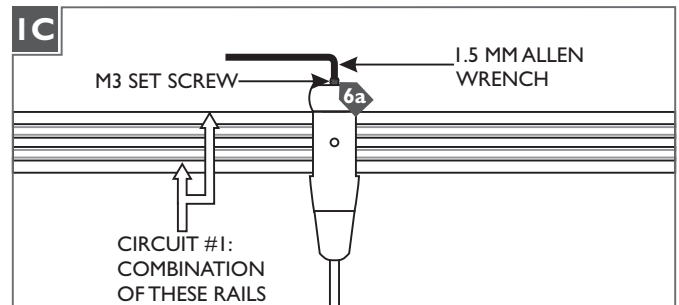
Install the Adapter onto the 2-Circuit Monorail for Down Light Fixtures



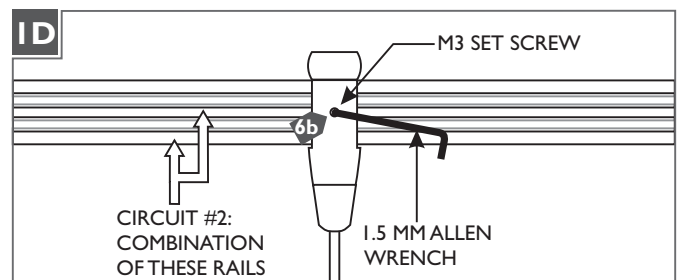
- 1 Unscrew the cap from the Fusion Jack adapter.
- 2 Select a place on the 2-Circuit Monorail where the fixture is going to be mounted.
- 3 From the bottom, place the Fusion Jack adapter onto the 2-Circuit Monorail.
- 4 Replace and tighten the cap to the Fusion Jack adapter. **Make sure that the cap is not cross threaded.**



- 5 Push and screw the fixture Fusion Jack completely into the Fusion Jack adapter.



- 6a To power up the fixture from circuit #1, tighten the M3 set screw on top of the cap with the 1.5MM Allen wrench. **Make sure that the set screw is tight for proper power connection.**

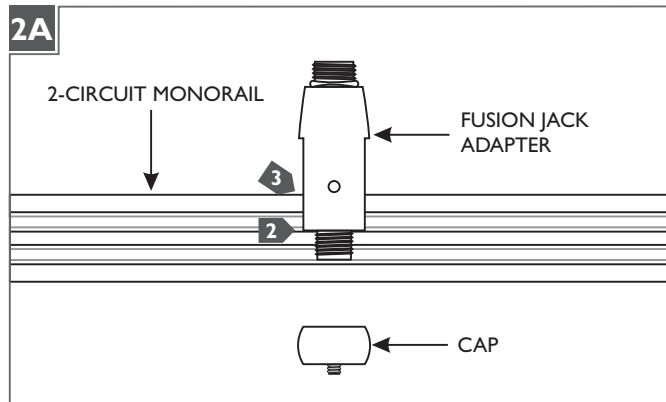


- 6b To power up the fixture from circuit #2, remove the M3 set screw from top of the cap and screw it into the side of the Fusion Jack adapter hole with the 1.5MM Allen wrench. **Make sure that the set screw is tight for proper power connection.**

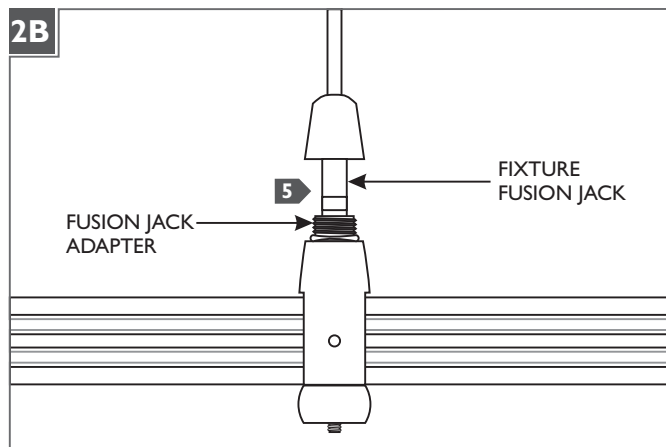
NOTE: Never use more than one set screw to select a circuit on the Fusion Jack adapter.

NOTE: Do not load either circuit over the maximum system rating.

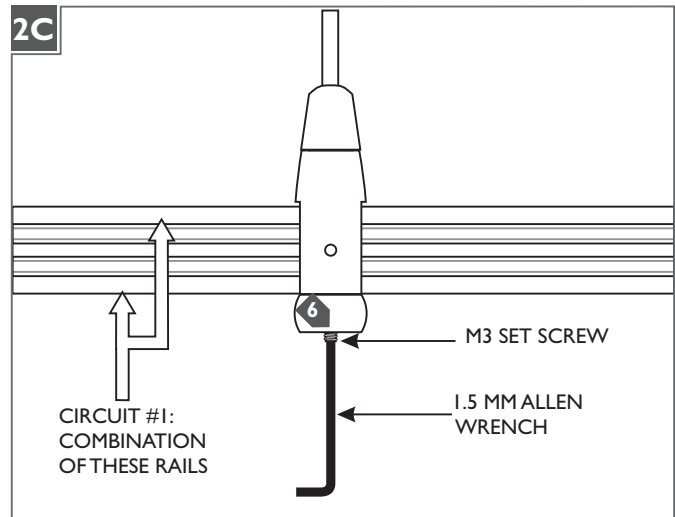
Install the Adapter onto the 2-Circuit Monorail for Up Light Fixtures



- 1 Unscrew the cap from the Fusion Jack adapter.
- 2 Select a place on the 2-Circuit Monorail where the fixture is going to be mounted.
- 3 From the top place the Fusion Jack adapter onto the 2-Circuit Monorail.
- 4 Replace and tighten the cap to the Fusion Jack adapter. **Make sure that the cap is not cross threaded.**



- 5 Push and screw the fixture Fusion Jack completely into the Fusion Jack adapter.



WARNING: Use only circuit #1 when installing the fixture as an up light. There is 24V between the middle and top rail of the 2-Circuit Monorail.

- 6 To power up the fixture, tighten the M3 set screw on bottom of the cap with the 1.5MM Allen wrench. **Make sure that the set screw is tight for proper power connection.**

SAVE THESE INSTRUCTIONS!

LBL

7400 Linder Ave, Skokie, IL 60077
800.323.3226 - 847.626.6300

www.lblighting.com

© 2014 LBL Lighting. All rights reserved. The "LBL Lighting" graphic is a registered trademark of LBL Lighting. LBL Lighting reserves the right to change specifications for product improvements without notification.

A Generation Brands Company